

WARING COMMERCIAL

BB180

44 oz. Eastman container

BB180S

32 oz. stainless steel container

NDG180 / Next Day Gourmet

44 oz. Eastman container

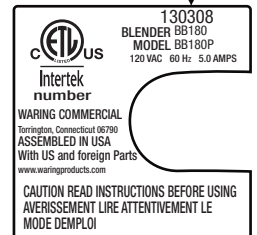


028214
Name Plate Label

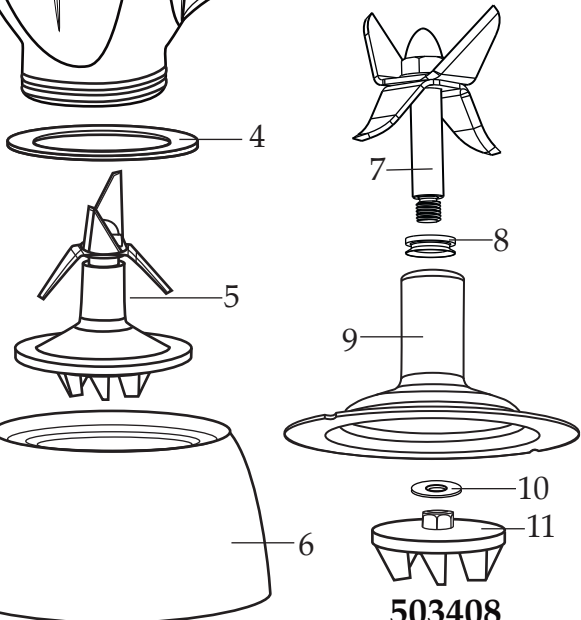
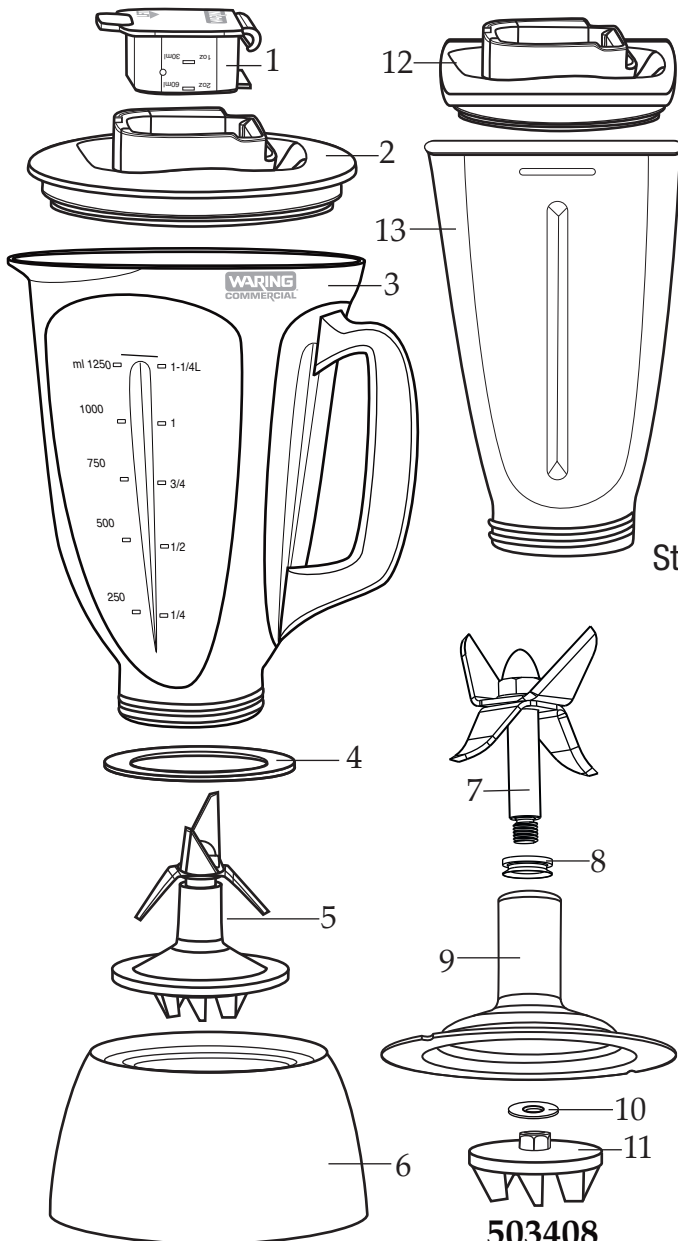
NOTE:
3 Part Changes
Starting With **Unit Date Code 130308**
That Can **NOT** be
Interchanged With Previous
Unit Date Codes

Blade Assembly - Coupling - Motor

Unit Date Code



SAMPLE Data Decal



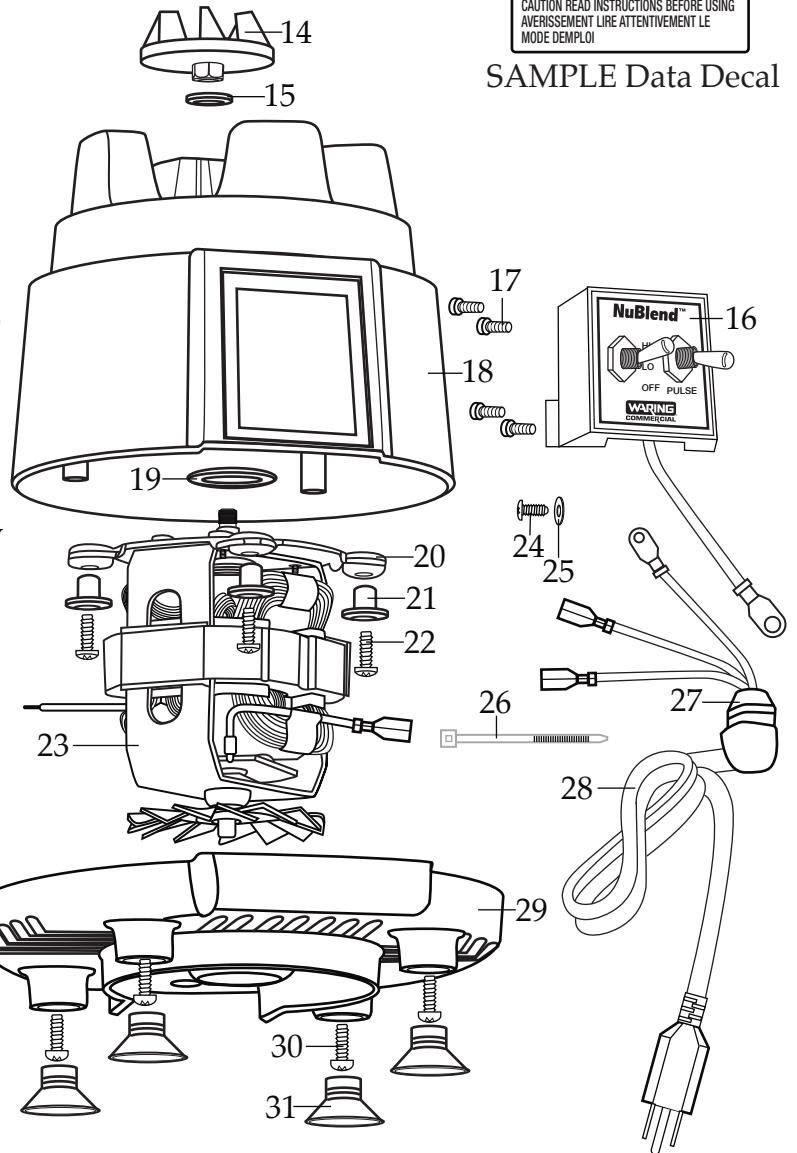
503408
Blending Assembly



032261
Brush & Spring
(2 required)

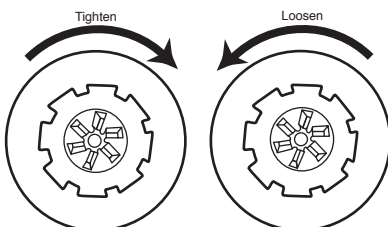


013304
NSF Seal



Unit Information

Limited 2 Year Warranty
60Hz
5 Amps
3/4 HP Motor
Hamilton Beach 901, 908 & 909
Jars Can Be Used On This Unit



Jar Upside Down with Jar Bottom Facing You

Catalog#

BB180	BB180P	BB180 MT (Type 25) <i>(4th generation)</i>	BB180T	BB180
BB180S	BB180S	BB180S MT (Type 25) <i>(4th generation)</i>		
NDG180	BB180P	BB180 MT (Type 25) <i>(4th generation)</i>		



Illustration #	Part #	Description
1	026282-E	Cover Lid
2	026281-V	Jar Lid
3	026280-E	Jar (44 oz. - 5 1/2 cups Eastman-copolyester)
4	026284	Jar Seal
5	503408 503377	Blending Assembly <i>(with unit date code starting 130308)</i> Blending Assembly
6	026285	Jar Bottom
7	503407 503378	Blade Assembly <i>(with unit date code starting 130308)</i> Blade & Shaft Assembly
8	027716	V Seal
9	503358	Stainless Steel Bearing Holder
10	030426	Nylon Washer
11	032453 027097	Coupling <i>(with unit date code starting 130308)</i> Coupling
12	026852-V	Jar Cover
13	026851	32 oz. Stainless Steel Jar
14	032453 027097	Coupling <i>(with unit date code starting 130308)</i> Coupling
15	026413 003507	Cap Washer Washer <i>(4th, 3rd, 2nd generation & older units)</i>
16	028209	Switch Assembly
17	026267 028259	Screw (4 required) Screw (4 required <i>no longer used</i>)
18	028212	Top Housing
19	026269	Upper Motor Mount
20	026841	Rubber Bushing (4 required)
21	026690	Eyelet (4 required)
22	026716	Screw (4 required)
23	033056 029794	ECM Motor <i>(with unit date code starting 130308)</i> ECM Motor
24	027278	Ground Screw (1 required) (2 required <i>4th generation</i>) (3 required <i>3rd generation</i>)
	002436	Ground Screw <i>(2nd generation & older units)</i>

Catalog#

BB180

BB180P

Model

BB180 MT (Type 25) BB180T BB180
(4th generation)

BB180S

BB180S

BB180S MT (Type 25)
(4th generation)

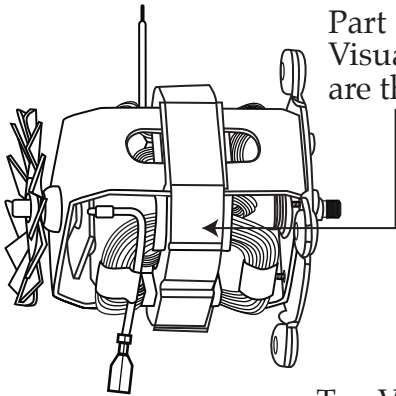
NDG180

BB180P

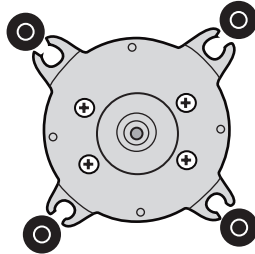
BB180 MT (Type 25)
(4th generation)

Waring Factory Service Center
 314 Ella T. Grasso Ave.
 Torrington, CT 06790
 Tele. 1-800-269-6640
 Fax 860-496-9017
 www.waringcommercialproducts.com

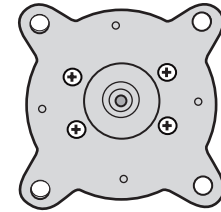
Illustration #	Part #	Description
25	002943	Lock Washer (2 required) (4 required 3rd & 4th generation) (1 required older units)
26	013731	Cable Tie (2 required)
27	013680	Strain Relief
28	502835	Cord Set
	502828	Cord Set (2nd generation & older units)
29	028580-x	Bottom Housing
	026464	Bottom Housing (3rd & 2nd generation)
	027063	Bottom Housing-has hole for reset switch (older units)
	502919	Bottom Housing with Reset Switch Assy. (older units)
30	026276	Screw (4 required)
31	026278	Suction Cup Foot (4 required)



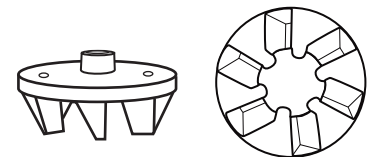
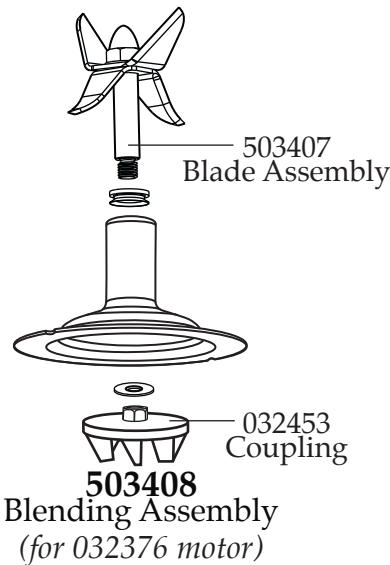
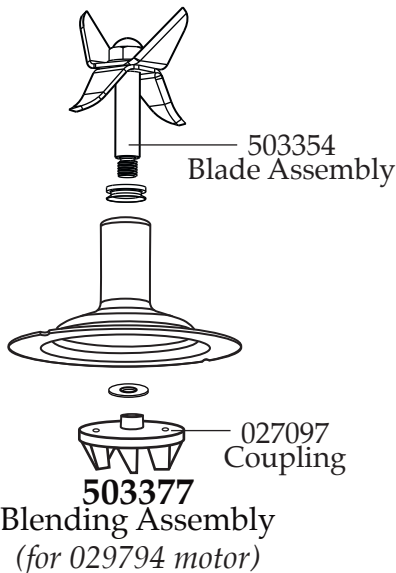
Part # is printed on each motor.
 Visually you may think motors
 are the same **but they are not.**



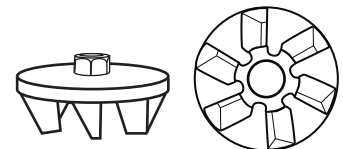
Top View 027794 or 033056 Motor



Top View
 If you have this
 type of motor
 See BB180 " (C) " Graphic



027097
 Coupling
 (for 029794 motor)



032453
 Coupling
 (for 032376 motor)

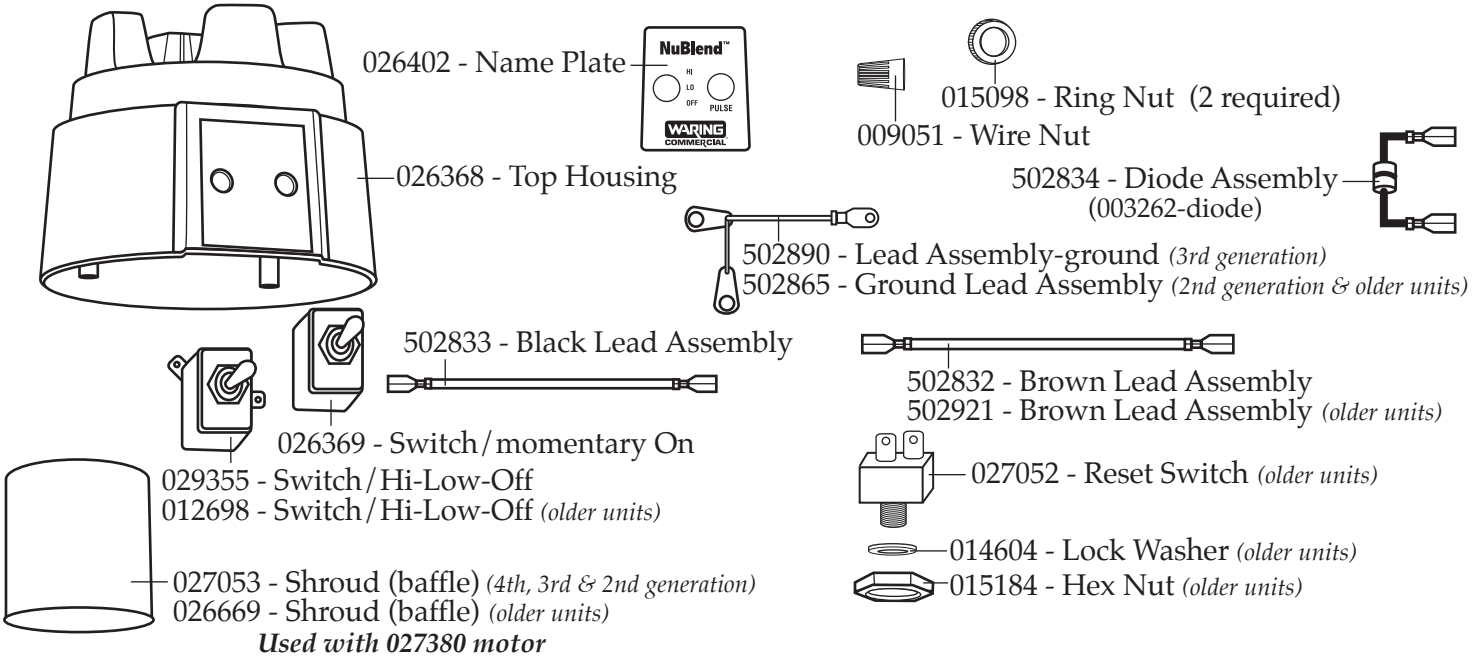
Catalog#

Model

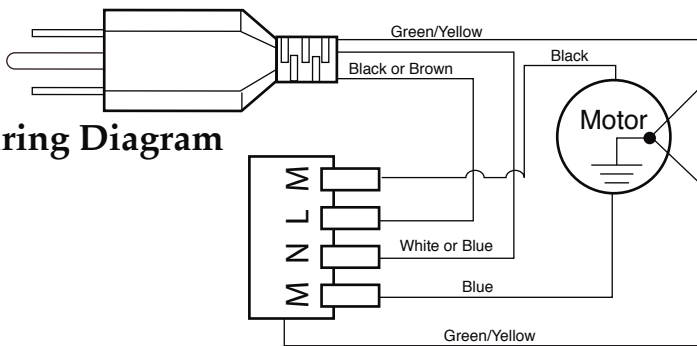
BB180	BB180P	BB180 MT (Type 25) <i>(4th generation)</i>	BB180T	BB180
BB180S	BB180S	BB180S MT (Type 25) <i>(4th generation)</i>		
NDG180	BB180P	BB180 MT (Type 25) <i>(4th generation)</i>		

Waring Factory Service Center
 314 Ella T. Grasso Ave.
 Torrington, CT 06790
 Tele. 1-800-269-6640
 Fax 860-496-9017
 www.waringcommercialproducts.com

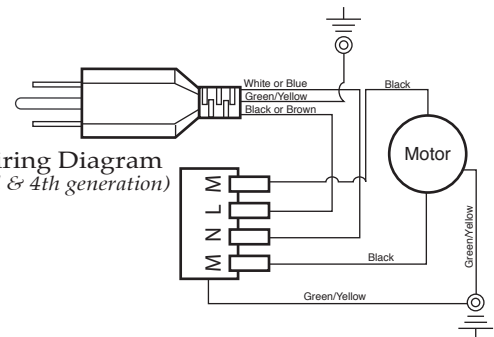
Parts No Longer Used *(limited availability)*



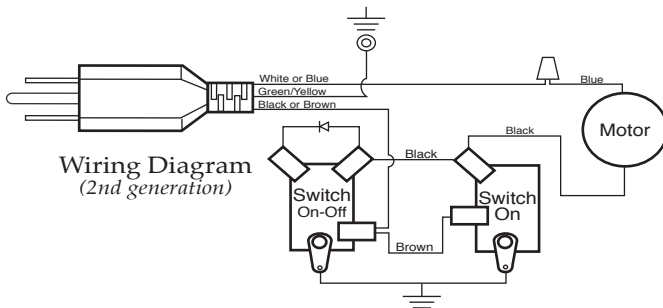
Wiring Diagram



Wiring Diagram
(3rd & 4th generation)



Wiring Diagram
(2nd generation)



Wiring Diagram
(older units with reset switch)

