

# KRUPS

F654



ENGLISH

FRANÇAIS

ESPAÑOL

[www.krups.com](http://www.krups.com)

# IMPORTANT SAFEGUARDS

When using electrical appliances, basic safety precautions should always be observed, including the following:

- Read all instructions.
- Do not touch hot surfaces. Use handles or knobs.
- To protect against a risk of electrical shock, do not immerse cord, plug, or base unit in water or other liquid.
- Close supervision is necessary when any appliance is used by or near children.
- Unplug from outlet when not in use and before cleaning. Allow to cool before putting on or taking off parts and before cleaning the appliance.
- Do not operate appliance with a damaged cord or plug after the appliance malfunctions, is dropped or damaged in any manner. Return appliance to the nearest authorized KRUPS Service Center for examination, repair or adjustment (see Guarantee of Performance. p. 10).
- The use of accessory attachments not recommended or sold by KRUPS may result in fire, electric shock or injury.
- Do not use outdoors.
- Do not let cord hang over edge of table or counter, or touch hot surfaces.
- Do not place on or near gas or electric burner or in a microwave or heated oven.
- Extreme caution must be used when moving an appliance containing hot oil or other hot liquids.
- To disconnect, remove plug from wall outlet.
- Do not use appliance for other than intended use.

- Do not leave appliance unattended.

# SAVE THESE INSTRUCTIONS

## CAUTION

This appliance is for household use. Any servicing other than cleaning and user maintenance should be performed by the nearest authorized KRUPS Service Center (see Guarantee of Performance. p. 10).

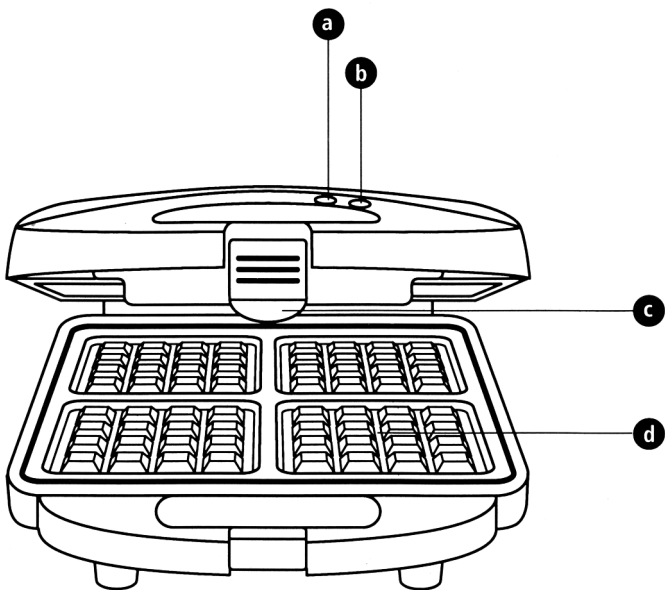
- Do not immerse base in water.
- To reduce the risk of fire or electric shock, do not open base of the appliance. There are no user serviceable parts inside. Repair should be done by an authorized KRUPS Service Center only.

## SPECIAL CORD SET INSTRUCTIONS

Regarding your Cord Set:

- A. A short power-supply cord is provided to reduce risks resulting from becoming entangled in or tripping over a longer cord.
- B. Longer extension cords are available and may be used if care is exercised in their use.
- C. If a long extension cord is used, (1) the marked electrical rating of the extension cord should be at least as great as the electrical rating of the appliance, (2) if the appliance is of the grounded type, the extension cord should be a grounding-type 3-wire cord, and (3) the longer cord should be arranged so that it will not drape over the counter top or table top where it can be pulled on by children or tripped over.
- D. This appliance has a polarized plug (one blade is wider than the other). As a safety feature, this plug will fit in a

**polarized outlet only one way. If the plug does not fit fully in the outlet, reverse the plug. If it still does not fit, contact a qualified electrician. Do not attempt to defeat this safety feature.**



## DESCRIPTION

**a** On/Off light  
**b** Ready light

**c** Closure latch  
**d** Non-stick coated plates

## SAFETY RECOMMENDATIONS

- **Read the operating instructions carefully before using your appliance for the first time. Krups will not assume any responsibility if the appliance is not used in accordance with the operating instructions.**
- Check that your appliance's voltage matches your electrical supply.
- Position your appliance on a stable, horizontal, temperature-resistant surface.
- Do not leave or use the appliance in a damp place.
- Allow the appliance to cool after each use.
- Do not touch the non-stick plates while the appliance is in operation.
- This Krups appliance is exclusively designed for making waffles.

## FEATURES

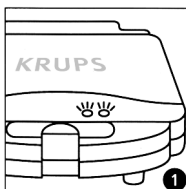
Thank you for purchasing the Krups 4-Slice Belgian Waffle Maker. This product belongs to the Krups line of high quality, top-performing appliances. This waffle maker allows you to make 4 crispy waffles in just 4 minutes and offers the following features:

- Extra thick cooking plates for making real deep-pocket Belgian waffles.
- Non-stick coated plates prevent waffles from sticking and makes cleaning easy.
- On/Off light indicates at a glance that appliance is on.
- Ready light indicates waffle maker is preheated and ready to bake.
- Cool touch thermo-insulated handle for safer operation.
- Latch holds unit together during upright storage.

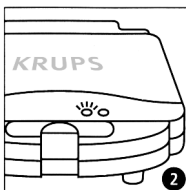
## BEFORE YOU START

- Clean the plates with a damp sponge and wipe dry.
- After lightly greasing the plates, (with butter, margarine, vegetable oil or non-stick cooking spray) close the appliance and plug it in. The lights (a) and (b) will light up.
- Let it heat for a few minutes to eliminate the new-product odor.
- If after several uses the waffles begin to stick, re-coat the plates.

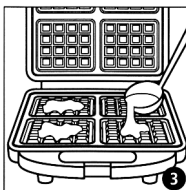
## USING YOUR APPLIANCE



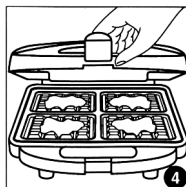
- Close the appliance and plug it in. The lights (a) and (b) will light up (1).



- When the appliance has reached the right temperature, the ready light (b) will go off (2).



- Open the appliance and pour the waffle batter into each plate, taking care not to overfill (3).



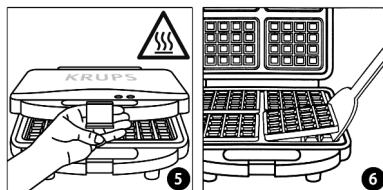
- Lower the top part (4).
- Do not close the appliance with the latch.

The hinge allows extra space to allow the waffles to expand.

Note: During cooking, the ready light (b) will go on and off periodically to assure a constant cooking temperature.

The cooking time is about 4 to 6 minutes and varies depending on the type of batter being used.

We recommend that you adjust the degree of crispiness to your own taste. The volumes and cooking times mentioned here are a general guideline.



- Once the cooking is complete, open the product carefully with the locker, remove the waffles with a wooden or plastic spatula (5).

- Avoid the use of metallic or sharp-edged utensils because they could damage the coating on the plates.
- If you wish to make more waffles, close the lid and wait until the ready light (b) goes off before cooking a new batch.
- After use, unplug the appliance and allow it to cool.

## HELPFUL HINTS

- Thicker batters will produce waffles that are crispier on the outside and moist on the inside.
- Be careful not to over-mix the batter, this will produce dense, chewy waffles.
- Serve waffles immediately after baking; if left to sit they will absorb moisture and become soggy.

## RECIPES

### **Waffle batter:**

#### **Makes 8 waffles**

*2 1/2 cups sifted all-purpose flour, 4 tablespoons sugar, 2 teaspoons baking powder, 1/2 teaspoon salt, 3 eggs, 2 cups milk, 1/2 cup vegetable oil.*

- Sift together flour, sugar, baking powder and salt.
- In a bowl, beat the egg yolks, add the milk and then add the sifted dry ingredients.
- In a small bowl, beat the egg whites to a thick foam and add them gently to the preparation. Your batter is ready. Cook your waffles following the instructions.
- Serve your waffles hot, immediately after cooking, with butter, syrup, honey, jam, fresh fruits or try one of the sauce recipes included in this book.

### **Crispy waffles with hot chocolate and vanilla ice cream**

#### **Makes 8 waffles**

*2 1/2 cups sifted all-purpose flour, 2 cups milk, 1/2 cup butter, 2 eggs, 2 tablespoons sugar, 4 teaspoons baker's yeast, 1 glass cognac (any brandy may be substituted), 1/2 teaspoon salt, vanilla ice cream, chocolate syrup.*

- Allow the yeast to rise by letting it sit 25 minutes in a glass of water with the sugar.
- Mix this preparation with the eggs and melted butter.
- Then add the milk, flour, cognac and salt, mixing until the batter is fluid.
- Allow the batter to sit for 3 hours at room temperature before cooking.
- Before serving, garnish with 2 scoops of vanilla ice cream and drizzle with warmed chocolate syrup.

They may also be eaten with sugar and jam.



### Maple-Blueberry Sauce

*1/4 cup brown sugar, 1 tablespoon cornstarch, 1/2 cup maple syrup, 1/2 cup water, 2 cups fresh or frozen blueberries, 1 tablespoon lemon juice, 1/8 teaspoon nutmeg.*

- In a saucepan, combine brown sugar and cornstarch. Gradually blend in maple syrup and water.
- Cook, stirring, until thick and bubbly, about 1 minute. Stir in blueberries, lemon juice and nutmeg. Cool slightly. Pour over waffles. Top with whipped cream, if desired.

### Cherry Sauce

*8 3/4 oz. can of dark sweet pitted cherries, 2 tablespoons cornstarch, 2 tablespoons port wine.*

- Drain cherries, reserving syrup. In a small saucepan, blend cornstarch, reserved syrup and port wine. Bring to a boil and cook 1 additional minute, continuing to stir. Stir in cherries. Cool mixture slightly. Spoon 3-4 tablespoons of sauce over each serving of waffles. Top with whipped cream, shaved semisweet chocolate and a maraschino cherry.

## CLEANING AND STORING

- Before each cleaning, unplug the appliance and let it completely cool.
- Never immerse the appliance in water or place it under running water.
- **To clean the outside of the appliance, use a damp sponge and dry it carefully.**
- To clean the plates, use a damp sponge and wipe dry.
- You may use very little liquid detergent to clean plates, but be sure to remove any residue as it might alter the taste of the waffles.
- If baked-on batter remains on the plates, we recommend using vegetable oil to soften diluted liquid detergent the remaining batter and to wait 5 minutes before wiping it off.
- **Never use abrasive pads or scouring powder.**

**To store:** Close the appliance and lock with the latch and store it vertically to save space.

## WHAT TO DO IF YOUR APPLIANCE DOES NOT WORK PROPERLY

- Check to make sure it is plugged in.

**If your appliance still does not work**, contact an authorized Krups Service Center.

## GUARANTEE OF PERFORMANCE

This fine KRUPS product is manufactured according to a rigid code of quality standards, and with minimum care, should give years of satisfying service.

However, should the need arise for repairs or for replacement parts within or after the warranty period, please call our **CONSUMER SERVICE DEPARTMENT: (800) 526-5377** 24-hours a day, 7 days a week. You will be provided with specific instruction on how to get your product repaired, as well as the name and address of your nearest authorized KRUPS Service Center. Consumer Service Department will also be able to answer any general product questions you may have.

Before calling the Consumer Service Department, please have the type number of your KRUPS appliance available. You must have this information before calling our Consumer Service Department so that we may better answer your questions. The type number can be located by looking at the bottom of your appliance.

This product type is #654

Any general correspondence can be addressed to:

KRUPS North America

P.O. Box 3900

Peoria, IL 61612

## LIMITED WARRANTY

www.krups.com

**With a strong commitment to the environment, most of Krups products are repairable during and after the warranty period. Before returning any defective products to the point of purchase, please call Krups consumer service directly at the phone number below for repair options. Your help to sustain the environment is appreciated!**

### The Warranty

This product is guaranteed by Krups for a period of **2 years** against any manufacturing defect in materials or workmanship, starting from the initial date of purchase.

The manufacturer's warranty by Krups is an extra benefit which does not affect consumer's Statutory Rights.

The Krups warranty covers all costs related to restoring the proven defective product so that it conforms to its original specifications, through the repair or replacement of any defective part and the necessary labor. At Krups's choice, a replacement product may be provided instead of repairing a defective product. Krups's sole obligation and your exclusive resolution under this warranty are limited to such repair or replacement.

### Conditions & Exclusions

The Krups warranty only applies within USA, Canada & Mexico, and is valid only on presentation of a proof of purchase. The product can be taken directly in person to an authorized service centre or must be adequately packaged and returned, by recorded delivery (or equivalent method of postage), to a Krups authorized service centre. Full address details for each country's authorized service centre are listed on the Krups website ([www.krups.com](http://www.krups.com)) or by calling the appropriate telephone number listed below to request the appropriate postal address.

Krups shall not be obliged to repair or replace any product which is not accompanied by a valid proof of purchase.

This warranty will not cover any damage which could occur as a result of misuse, negligence, failure to follow Krups instructions, use on current or voltage other than as stamped on the product, or a modification or unauthorized repair of the product. It also does not cover normal tear and wear, maintenance or replacement of consumable parts, and the following:

- scaling (any de-scaling must be carried out according to the instructions for use);
- water damage, dust or insects into the product;
- mechanical damages, overloading
- damages or bad results due to wrong voltage or frequency
- accidents including fire, flood, lightning, etc
- professional or commercial use

This warranty does not apply to any product that has been tampered with, or to damages incurred through improper use and care, faulty packaging by the owner or mishandling by any carrier.

The Krups manufacturer's warranty applies only for products purchased and used in USA, Canada & Mexico. Where a product purchased in one country and then used in another one:

- a) The Krups guarantee duration is the one in the country of usage of the product, even if the product was purchased in another listed country with different guarantee duration.
- b) The Krups guarantee does not apply in case of non conformity of the purchased product with the local standards, such as voltage, frequency, power plugs, or other local technical specifications
- c) The repair process for products purchased outside the country of use may require a longer time if the product is not locally sold by Krups
- d) In cases where the product is not repairable in the new country, the Krups guarantee is limited to a replacement by a similar product or an alternative product at similar cost, where possible.

## Consumer Statutory Rights

This Krups manufacturer's warranty does not affect the statutory rights a consumer may have or those rights that cannot be excluded or limited, nor rights against the retailer from which the consumer purchased the product. This warranty gives a consumer specific legal rights, and the consumer may also have other legal rights which vary from State to State or Country to Country or Province to Province. The consumer may assert any such rights at his sole discretion.

## Additional information

Accessories, Consumables and end-user replaceable parts can be purchased, if locally available, as described in Krups internet site.

<b>U.S.A.</b>	GROUPE SEB USA 2121 Eden Road Millville, NJ 08332	<b>CANADA</b>	GROUPE SEB CANADA 345 Passmore Avenue Toronto, ON M1V 3N8	<b>MEXICO</b>	Groupe SEB MEXICO S.A. de C.V. Goldsmith 38 Desp. 401 Col. Polanco Delegacion Miguel Hidalgo 11 560 Mexico D.F. MEXICO
	800-526-5377		1-800-418-3325		01800 1128325

[www.krups.com](http://www.krups.com)

# CONSIGNES DE SÉCURITÉ IMPORTANTES

Lorsque vous utilisez des appareils électriques, des mesures de sécurité de base s'imposent pour réduire les risques d'incendie, de décharge électrique ou de blessures, y compris les mesures suivantes:

1. Lisez toutes les instructions.
2. Ne touchez pas de surfaces chaudes. Utilisez les poignées et les boutons.
3. Afin de prévenir les risques d'incendie, de décharge électrique et de blessures, ne plongez pas le cordon, les fiches ou l'appareil dans de l'eau ou tout autre liquide.
4. Une surveillance étroite s'impose si l'appareil est utilisé par des enfants ou à leur proximité.
5. Débranchez l'appareil de la prise quand il n'est pas utilisé et avant de le nettoyer.  
Laissez-le refroidir avant de poser ou de retirer des pièces, et avant de le nettoyer.
6. N'utilisez aucun appareil électrique si la fiche ou le cordon sont endommagés, si l'appareil ne fonctionne pas comme il faut, s'il est tombé ou a été endommagé de quelque façon que ce soit. Dans ces cas, retournez l'appareil au centre de service autorisé KRUPS le plus proche pour le faire examiner, réparer ou régler (VOYEZ LA GARANTIE DE RENDEMENT).
7. L'utilisation d'accessoires non recommandés ni vendus par KRUPS peut causer un incendie, une décharge électrique ou des blessures.
8. N'utilisez pas l'appareil à l'extérieur.
9. Ne laissez pas le cordon pendre le long du bord de la table ou du comptoir, ni toucher une surface chaude.
10. Ne placez pas l'appareil sur un élément à gaz ou

électrique chaud, ni à proximité de celui-ci, ni dans un four chaud, ni dans un four micro-ondes.

11. Pour débrancher l'appareil, retirez la fiche de la prise murale.
12. Utilisez l'appareil aux seules fins prévues.
13. Ne laissez pas l'appareil sans surveillance.

# CONSERVEZ CES INSTRUCTIONS

## PRÉCAUTION

Cet appareil est destiné à un usage domestique exclusivement. Toute manipulation autre que le nettoyage, ainsi que la réparation de l'appareil doivent être effectuées auprès du Centre de service agréé KRUPS le plus proche (voir Garantie de rendement).

- Ne pas plonger l'appareil dans l'eau.
- Afin de réduire tout risque d'incendie ou de choc électrique, ne pas enlever la base. Aucune pièce réparable par le consommateur. Toute réparation doit être effectuée par un Centre de service agréé KRUPS.

FRANÇAIS

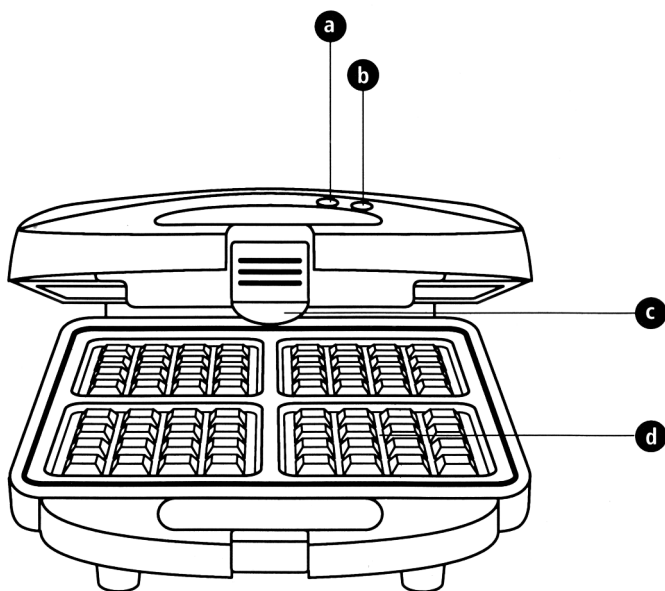
## INSTRUCTIONS SPÉCIALES POUR LE CORDON

Au sujet de votre cordon:

- A. Un cordon d'alimentation court fourni avec l'appareil permet de réduire le risque de trébucher sur un cordon long ou de l'emmêler.
- B. Des rallonges longues sont disponibles et vous pouvez les utiliser, à condition de faire preuve de prudence.
- C. Si vous utilisez une rallonge longue: (1) la puissance nominale qui est indiquée doit être au moins égale à la puissance nominale de l'appareil; (2) si l'appareil est mis à la terre, la rallonge doit être à 3 fils dont un de terre,

et (3) le cordon, plus long, ne doit pas pendre du comptoir ni de la table, car des enfants pourraient le tirer et il pourrait faire trébucher.

**D.** Cet appareil est doté d'une fiche polarisée (une lame est plus large que l'autre). Par mesure de sécurité, cette fiche ne peut se brancher que d'une seule façon. S'il vous est impossible de l'insérer dans la prise, inversez-la. Si c'est toujours impossible, faites appel à un électricien qualifié. N'essayez pas de neutraliser ce dispositif de sécurité.



## DESCRIPTION

- |                                      |   |
|--------------------------------------|---|
| <b>a</b> Voyant de mise sous tension | <b>c</b> Verrou de fermeture                  |
| <b>b</b> Voyant de régulation        | <b>d</b> Plaques avec revêtement antiadhérent |



## CONSEILS DE SÉCURITÉ

- **Lisez attentivement le mode d'emploi avant la première utilisation de votre appareil : une utilisation non conforme au mode d'emploi dégragerait Krups de toute responsabilité.**
- Ne pas laissez l'appareil à la portée des enfants sans surveillance. L'utilisation de cet appareil par des jeunes enfants ou des personnes handicapées doit être faite sous surveillance.
- Vérifiez que la tension d'alimentation de votre appareil correspond bien à celle de votre installation électrique.

### **Toute erreur de branchement annule la garantie.**

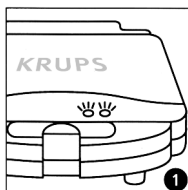
- Votre appareil est destiné uniquement à un usage domestique et à l'intérieur de la habitation.
- Débranchez votre appareil dès que vous cessez de l'utiliser et lorsque vous le nettoyez.
- N'utilisez pas votre appareil s'il ne fonctionne pas correctement ou s'il a été endommagé. Dans ce cas, adressez-vous à un centre service agréé Krups (voir liste dans le livret service).
- Toute intervention autre que le nettoyage et l'entretien usuel par le client doit être effectuée par un centre service agréé Krups.
- Ne mettez pas l'appareil, le câble d'alimentation ou la fiche dans l'eau ou tout autre liquide.
- Ne laissez pas pendre le câble d'alimentation à portée de mains des enfants.
- Le câble d'alimentation ne doit jamais être à proximité ou en contact avec les parties chaudes de votre appareil, près d'une source de chaleur ou sur angle vif.
- Si le câble d'alimentation ou la fiche sont endommagés, n'utilisez pas l'appareil. Afin d'éviter tout danger, faites-les obligatoirement remplacer par un centre service agréé Krups (voir liste dans le livret service).
- Pour votre sécurité, n'utilisez que des accessoires et des pièces détachées Krups adaptés à votre appareil.
- Disposez votre appareil sur un plan stable et horizontal, résistant à la température.

- Ne laissez pas et n'utilisez pas l'appareil dans un lieu humide.
- Laissez refroidir l'appareil avant toute manipulation.
- Ne touchez pas les plaques au revêtement anti-adhérent lorsque l'appareil fonctionne.

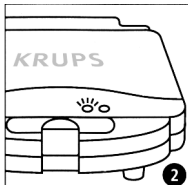
## AVANT UNE PREMIÈRE UTILISATION

- Nettoyez les plaques avec une éponge humide rincez-les et séchez-les.
- Après avoir légèrement huilé les plaques, fermez l'appareil et branchez-le. Les voyants (a) et (b) s'allument.
- Laissez chauffer quelques minutes pour éliminer l'odeur de neuf.

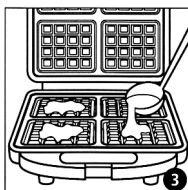
## MISE EN SERVICE



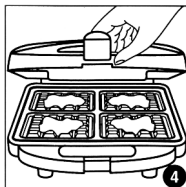
- Fermez l'appareil et branchez-le. Les voyants (a) et (b) s'allument (1).



- Lorsque l'appareil atteint la bonne température, le voyant de régulation (b) s'éteint (2).



- Ouvrez l'appareil et huilez légèrement les plaques. Versez la pâte à gaufre dans chaque plaque en prenant garde de ne pas déborder (3).

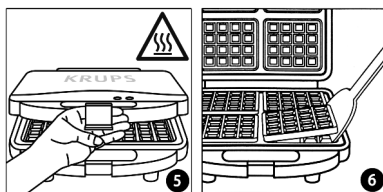


- Rabattez la partie supérieure (4).
- Ne fermez pas l'appareil à l'aide du verrou. La charnière présente un jeu pour permettre à la pâte de gonfler.

**Remarque :** Durant la cuisson, le voyant de régulation (b) s'allume et s'éteint régulièrement pour assurer une température de cuisson constante.

- Le temps de cuisson est d'environ 4 à 6 minutes et varie en fonction de la composition de la pâte.

Dans tous les cas, il est conseillé de contrôler le degré de cuisson en fonction de votre propre goût. Les quantités et les temps sont donnés à titre indicatif.



- La cuisson terminée, ouvrez l'appareil avec précaution à l'aide du verrou de fermeture, retirez les gaufres à l'aide d'une spatule en bois (5).

- Evitez l'emploi d'ustensiles métalliques et coupants, car il pourraient endommager le revêtement des plaques.
- Si vous désirez à nouveau faire des gaufres, fermez le couvercle et attendez que le voyant de régulation (b) s'éteigne avant de commencer une nouvelle cuisson.
- Après utilisation, débranchez l'appareil et laissez-le refroidir.

## RECETTES

### Recette de pâte à gaufre (pour 8 gaufres)

*250 g de farine, 60 g de sucre en poudre, 1 sachet de levure chimique, 1 pincée de sel, 3 oeufs, 450 ml de lait, 6 cuillères à soupe d'huile.*

Dans un récipient, battez les jaunes d'oeufs, ajoutez-y le lait puis versez la farine, le sucre, la levure chimique et le sel préalablement mélangés.

- Dans un petit bol, battez les blancs en neige ferme et incorporez-les délicatement à la préparation. Votre pâte est prête.
- Servez chaud et immédiatement avec du beurre, du sirop, du miel, des confitures, des fruits frais.

### Recette des gaufres croquantes au chocolat chaud et glace (8 gaufres)

*250 g de farine, 450 ml de lait, 2 morceaux de sucre, 1 pincée de sel, 75 g de beurre, 2 oeufs, 10 g de levure de boulanger, 1 verre à liqueur de cognac, glace, chocolat.*

- Faites lever la levure en la laissant reposer ¼ d'heure dans un verre d'eau avec 2 morceaux de sucre.
- Mélangez cette préparation aux oeufs et au beurre fondu.
- Ajoutez ensuite le lait, la farine, le cognac et le sel en délayant jusqu'à l'obtention d'une pâte fluide.
- Laissez reposer la pâte 3 heures dans une pièce tiède, avant la cuisson.
- Avant de servir, garnissez avec 2 boules de glace vanille et nappez de chocolat chaud.

Elles peuvent aussi se déguster avec du sucre et de la confiture.

### Sauce aux bleuets et sirop d'érable

*1/4 de tasse (60 ml) de cassonade, 1 c. de table (15 ml) de féculé de maïs, 1/2 tasse (125 ml) de sirop d'érable, 1/2 tasse (125 ml) d'eau, 2 tasses (500 ml) de bleuets frais ou surgelés, 1 c. à table (15 ml) de jus de citron, 1/8 de c. à thé (0,5 ml) de noix de muscade.*

- Dans un poêlon, mélangez la cassonade avec la fécule, puis graduellement ajoutez le sirop d'érable et l'eau.
- Faites cuire en mélangeant jusqu'à consistance épaisse et bouillonnante (env. 1 min.).

Ajoutez en mélangeant, les bleuets, le jus de citron et la noix de muscade. Laissez légèrement refroidir. Versez sur les gaufres.

Si désiré, garnissez de crème fouettée.

### Sauce aux cerises

*Une boîte de 8 3/4 oz (280 ml) de cerises noires douces, dénoyautées, 2 c. à table (30 ml) de fécule de maïs, 2 c. à table (30 ml) de vin de porto.*

- Dans un petit poêlon, mélangez la fécule, le sirop réservé et le vin de porto. Amenez à ébullition et laissez cuire encore une minute en continuant à mélanger. Ajoutez les cerises. Laissez refroidir légèrement le mélange. Versez 3 à 4 cuillers à table de sauce sur chaque gaufre. Garnissez de crème fouettée, de copeaux de chocolat midoux et d'une cerise au marasquin.

## NETTOYAGE

- Avant tout nettoyage, débranchez l'appareil et laissez-le refroidir.
- Ne mettez jamais l'appareil dans l'eau ou sous l'eau courante.
- **Pour nettoyer l'extérieur de l'appareil**, utilisez une éponge humide et essuyez soigneusement.
- **Pour nettoyer les plaques**, utilisez une éponge humide avec du produit à vaisselle.

Rincez-les et essuyez-les soigneusement.

S'il reste de la pâte cuite sur les plaques, nous vous conseillons d'utiliser de l'huile végétale pour la ramollir et d'attendre 5 minutes avant de l'enlever.

- **N'utilisez jamais de tampon abrasif ni de poudre à récurer.**

**Rangement** : Fermez l'appareil à l'aide du verrou et rangez-le verticalement pour gagner de la place.

## SI VOTRE APPAREIL NE FONCTIONNE PAS QUE FAIRE ?

- Vérifiez le branchement.

**Votre appareil ne fonctionne toujours pas?** Adressez-vous à un centre service agréé Krups (voir liste dans le livret service).

## GARANTIE DE RENDEMENT

Cet appareil KRUPS de qualité est fabriqué suivant des normes de qualité strictes et, s'il reçoit un minimum d'entretien, il devrait donner satisfaction pendant de nombreuses années. S'il faut toutefois le faire réparer ou obtenir des pièces de rechange pendant la période visée par la garantie ou par la suite, veuillez téléphoner à notre SERVICE AUX CONSOMMATEURS: É.-U. : (800) 526-5377 24 heures par jour, 7 jours par semaine

CANADA: (905) 669-0114

Du lundi au vendredi, de 8h00 à 16h30.

Nous vous donnerons des instructions spécifiques sur la façon de faire réparer l'appareil.

Le Service répondra aussi à toute question générale que vous lui poseriez sur les articles.

Avant de téléphoner au Service aux consommateurs, connaissez le numéro du type de l'appareil KRUPS pour lui permettre de mieux répondre à vos questions. Le numéro du modèle se trouve au bas de l'appareil.

Ce produit est le modèle F654.

Veuillez envoyer tout courrier d'ordre général à cette adresse:

É.-U. Krups North America, Inc.

P.O. Box 3900

Peoria, IL 61612

CANADA: Service Krups

20 Caldari Rd.

Concord, Ontario

L4K 4N8

## GARANTIE KRUPS



: [www.krups.com](http://www.krups.com)

**Dans le cadre de notre ferme engagement envers l'environnement, la plupart des produits Krups sont réparables durant la période de garantie et par la suite. Avant de retourner des produits défectueux à l'endroit où vous l'avez acheté, veuillez communiquer directement avec le service à la clientèle de Krups au numéro de téléphone mentionné ci-dessous, pour connaître les options de réparation. Votre aide pour soutenir l'environnement est appréciée!**

### La garantie

Ce produit est garanti par Krups pendant **2 ans** contre tout défaut de fabrication ou de main-d'œuvre et ce, à partir de la date initiale de l'achat.

Cette garantie du fabricant Krups vient en complément des droits des consommateurs.

La garantie du fabricant couvre tous les coûts de remise en état d'un produit reconnu défectueux pour qu'il se conforme à ses spécifications d'origine, par la réparation ou le remplacement de pièces défectueuses et la main-d'œuvre nécessaire. Au choix de Krups, un produit de remplacement peut être proposé à la place de la réparation du produit défectueux. Les obligations de Krups dans le cadre de cette garantie se limitent exclusivement à cette réparation ou ce remplacement.

### Conditions et exclusions

La garantie de Krups ne s'applique qu'aux États-Unis, au Canada et au Mexique et n'est valable que sur présentation d'une preuve d'achat. Le produit peut être déposé directement en personne, à un centre de service autorisé ou peut être adéquatement emballé et retourné par courrier recommandé (ou d'autres méthodes d'expédition similaires), à un centre de service autorisé. La liste complète des centres de service autorisés de chaque pays, ainsi que leurs coordonnées complètes, est disponible sur le site de Krups ([www.krups.com](http://www.krups.com)) ou en appelant au numéro de téléphone approprié, tel que précisé sur la liste ci-dessous, pour obtenir l'adresse postale appropriée.

Krups ne sera pas obligée de réparer ou d'échanger un produit qui ne serait pas accompagné d'une preuve d'achat valide.

Cette garantie ne couvre pas les dommages encourus à la suite d'une mauvaise utilisation, d'une négligence, du non-respect des instructions d'utilisation et d'entretien, de l'utilisation avec une alimentation électrique

non conforme à celle spécifiée sur la plaque signalétique ou d'une modification ou d'une réparation non autorisée du produit. Elle n'inclut également pas l'usure normale du produit, ni l'entretien ou le remplacement de pièces de pièces d'usure, ni les cas suivants :

- utilisation d'une eau ou d'un consommable non adaptés
- entartrage (tout détartrage doit être réalisé conformément aux instructions précisées dans le mode d'emploi)
- infiltration d'eau, de poussière, d'insectes, dans le produit
- dommages mécaniques ou surcharge
- dommages ou mauvais résultats dus à un mauvais voltage ou une mauvaise fréquence
- tous accidents liés à un feu, une inondation, la foudre, etc.
- usage professionnel ou commercial
- verre ou céramique endommagé

Cette garantie ne s'applique pas aux produits trafiqués ou aux dommages encourus à la suite d'une mauvaise utilisation ou d'un mauvais entretien, aux problèmes au niveau de l'emballage effectué par son propriétaire ou d'une manutention inadéquate de la part du transporteur. La garantie du fabricant Krups ne s'applique qu'aux produits achetés et utilisés aux États-Unis, au Canada et au Mexique. En cas d'utilisation dans un autre pays que celui de l'achat :

- a) La durée de la garantie de Krups est celle du pays d'utilisation du produit, y compris dans le cas où le produit aurait été acquis dans l'un des pays listés, avec une durée de garantie différente.
- b) La garantie de Krups ne s'applique pas en cas de non-conformité du produit aux normes locales, tels que le voltage, la fréquence électrique, le type de prise électrique ou toute autre spécification locale.
- c) Le processus de réparation du produit acheté à l'extérieur du pays d'utilisation, pourrait exiger une période de réparation supérieure aux conditions locales, si le produit n'est pas vendu par Krups dans le pays d'emploi
- d) Au cas où le produit ne serait pas réparable dans le pays d'emploi, la garantie de Krups est limitée au remplacement par un produit équivalent ou un produit alternatif de même valeur si c'est possible.

### **Droits légaux des consommateurs**

Cette garantie de Krups n'affecte ni les droits légaux dont bénéficie tout consommateur, qui ne sauraient être exclus ou limités, ni les droits légaux envers le commerçant où le consommateur a acheté le produit. Cette garantie donne au consommateur des droits spécifiques et le



consommateur peut par ailleurs bénéficier des droits particuliers en fonction du pays, de l'État ou de la province. Le consommateur peut faire usage de ces droits à sa discrétion exclusive.

### Informations supplémentaires

Les accessoires, pièces d'usure et autres pièces remplaçables directement par l'utilisateur, peuvent être achetées, si elles sont disponibles localement, tel que décrit sur le site internet de Krups / [www.krups.com](http://www.krups.com).

<b>U.S.A.</b>	GROUPE SEB USA 2121 Eden Road Millville, NJ 08332	<b>CANADA</b>	GROUPE SEB CANADA 345 Passmore Avenue Toronto, ON M1V 3N8	<b>MEXICO</b>	Groupe SEB MEXICO S.A. de C.V. Goldsmith 38 Desp. 401 Col. Polanco Delegacion Miguel Hidalgo 11 560 Mexico D.F. MEXICO
	800-526-5377		1-800-418-3325		01800 1128325



: [www.krups.com](http://www.krups.com)

# ADVERTENCIAS IMPORTANTES

Lea atentamente las instrucciones de el uso antes de utilizar el aparato por primera vez: un uso no conforme con las instrucciones eximiría a Krups de toda responsabilidad.

- No deje el aparato sin vigilancia al alcance de los niños. El uso de este aparato por parte de personas muy jóvenes o discapacitadas se debe hacer bajo vigilancia.
- Verifique que la tensión de alimentación del aparato sea la misma que la de su instalación eléctrica. Cualquier error de conexión anula la garantía.
- Este aparato está destinado únicamente para uso doméstico y en el interior de la casa.
- Desenchufe el aparato en el mismo momento en que deje de utilizarlo y para limpiarlo.
- No utilice el aparato si no funciona correctamente o si está deteriorado. En este caso, diríjase a un centro de servicio técnico autorizado Krups (encontrará la lista en el folleto de servicio técnico).
- Toda intervención que no sea la limpieza y el mantenimiento usual por parte del cliente la debe efectuar un centro de servicio técnico autorizado Krups.
- No sumerja nunca el aparato, el cable de alimentación ni el enchufe en el agua ni en ningún otro líquido.
- No deje que el cable de alimentación quede colgando al alcance de los niños.
- El cable de alimentación no debe estar nunca cerca de las partes calientes del aparato, menos aún en contacto con ellas, cerca de una fuente de calor ni sobre un canto vivo.
- Si el cable de alimentación o el enchufe están deterio-

rados, no utilice el aparato. A fin de evitar cualquier riesgo, es imprescindible hacerlos sustituir por un centro de servicio técnico autorizado Krups (encontrará la lista en el folleto de servicio técnico).

- Para su seguridad, utilice únicamente los accesorios y piezas de repuesto Krups apropiados para su aparato.
- Coloque el aparato sobre una superficie estable y horizontal, resistente a la temperatura.
- No deje ni utilice el aparato en un lugar húmedo.
- Deje enfriar el aparato antes de cualquier manipulación.
- No toque las placas con revestimiento antiadherente cuando el aparato esté funcionando.

## CONSERVE ESTAS INSTRUCCIONES

### ¡ATENCIÓN!

Este aparato es solamente para uso doméstico. Cualquier servicio salvo limpieza y mantenimiento debe realizarse por un centro de servicio autorizado Krups. Visite nuestra página de internet en: [www.krupsusa.com](http://www.krupsusa.com) en EUA, [www.krups.ca](http://www.krups.ca) en Canadá ó [www.krups.com.mx](http://www.krups.com.mx) en México.

También puede contactar a su centro de servicio más cercano.

Para reducir el riesgo de incendio o choque eléctrico, no desarme el aparato.

Las reparaciones deberán realizarse por un centro de Servicio Autorizado Krups.

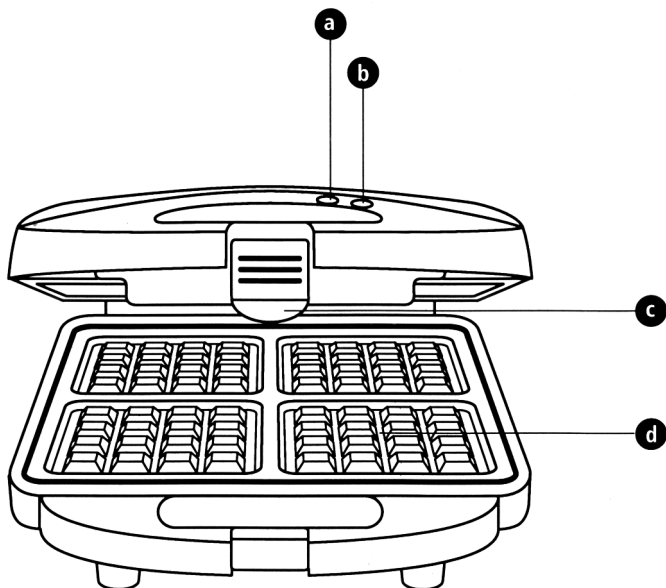
## **INSTRUCCIONES ESPECIALES PARA EL CABLE DE ALIMENTACIÓN**

- A.** Con el aparato se suministra un cable de alimentación corto para reducir el riesgo de que alguien tropiece o se enrede accidentalmente en los pies.
- B.** Están disponibles cables de alimentación más largos o extensiones eléctricas y pueden utilizarse teniendo precaución.
- C.** Si se utiliza una extensión:
  - 1) las características eléctricas del cable o de la extensión deben ser al menos iguales a las del aparato.
  - 2) si el aparato es del tipo puesta a tierra, la extensión debe ser de tipo puesta a tierra y comprender 3 enchufes y
  - 3) el cable de alimentación o la extensión deben estar puestos de forma que no cuelguen de borde del plano de trabajo de la mesa para que los niños no puedan jalarlo o tropezar accidentalmente.

Para reducir el riesgo de descarga eléctrica, este enchufe está pensado para introducirse en una toma polarizada sólo de un modo. Si el enchufe no encaja totalmente en la toma, déle la vuelta. Si sigue sin encajar, póngase en contacto con un electricista calificado. No trate de modificar el enchufe de ningún modo.

No desenchufe la unidad tirando del cable. En su lugar, agarre el enchufe y tire para desconectarlo.

Con el fin de mejorar los productos, Krups se reserva el derecho a cambiar las especificaciones sin aviso previo.



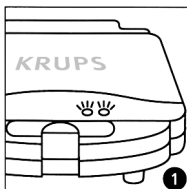
## DESCRIPCIÓN

- |                                     |   |
|-------------------------------------|---|
| <b>a</b> Piloto de puesta en marcha | <b>c</b> Pestillo de cierre                     |
| <b>b</b> Piloto de regulación       | <b>d</b> Placas con revestimiento antiadherente |

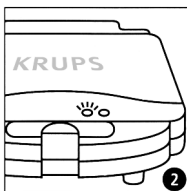
## ANTES DEL PRIMER USO

- Limpie las placas con una esponja húmeda, aclárelas y séquelas.
- Después de untar ligeramente las placas con aceite, cierre el aparato y enchúfelo. Los pilotos (a) y (b) se encienden.
- Deje calentar el aparato durante unos minutos para eliminar el olor a nuevo.

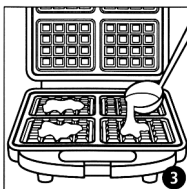
## INSTRUCCIONES PARA EL USO



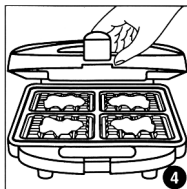
- Cierre el aparato y enchúfelo. Los pilotos (a) y (b) se encienden (1).



- Cuando el aparato alcanza la temperatura adecuada, el piloto de regulación (b) se apaga (2).



- Abra el aparato y unte ligeramente las placas con aceite.
- Vierta la pasta para galletas en cada placa, con cuidado, para que no rebese. (3).



- Baje la parte superior (4)

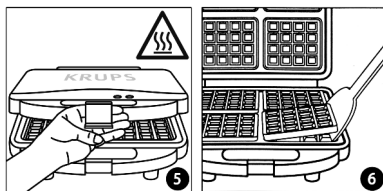
- No cierre el aparato con el pestillo. La bisagra tiene un poco de juego para permitir que la pasta suba

**Observación:** Durante la cocción, el piloto de regulación (b) se enciende y se apaga regularmente para garantizar una temperatura de cocción constante.

- El tiempo de cocción es de 4 a 6 minutos y varía según la composición de la pasta.

En cualquier caso, se aconseja controlar el grado de cocción en función del propio gusto.

Las cantidades y los tiempos se dan a título indicativo.



- Una vez terminada la cocción, abra el aparato con precaución con el pestillo de cierre, retire los gofres con una espátula de madera (5).

- Evite el uso de utensilios metálicos y cortantes, ya que podrían dañar el revestimiento de las placas.
- Si desea volver a preparar gofres, cierre la tapa y espere hasta que el piloto de regulación (B) se apague antes de iniciar una nueva cocción.

## RECETAS

### **Receta de la pasta para gofres (para 8 gofres):**

*250 g de harina, 60 g de azúcar en polvo, 1 sobre de levadura, una pizca de sal, 3 huevos, 450 ml de leche, 6 cucharadas soperas de aceite.*

- En un recipiente, bata las yemas de los huevos, añada la leche y luego vierta la harina, el azúcar, la levadura y la sal previamente mezclados.
- En un cuenco pequeño, bata las claras a punto de nieve consistente e incorpórelas con cuidado al preparado. La pasta ya está lista.
- Sirva los gofres calientes e inmediatamente, con mantequilla, jarabe, miel, confitura, fruta fresca, etc.

### **Receta para gofres crujientes con chocolate caliente y helado (8 gofres)**

*250 g de harina, 450 ml de leche, 2 terrones de azúcar, una pizca de sal, 75 g de mantequilla, 2 huevos, 10 g de levadura de panadero, 1 copa de coñac, helado, chocolate.*

- Haga que la levadura suba dejándola reposar 1/4 de hora en un vaso de agua con 2 terrones de azúcar.
- Mezcle este preparado con los huevos y la mantequilla fundida.
- A continuación añada la leche, la harina, el coñac y la sal, removiendo hasta obtener una pasta fluida.
- Antes de la cocción, deje reposar la pasta durante 3 horas en un lugar tibio.
- Antes de servir, adorne los gofres con 2 bolas de helado de vainilla y recúbralos con chocolate caliente.

También se pueden degustar con azúcar y confitura.

## **LIMPIEZA**

- Antes de cualquier limpieza, desenchufe el aparato y déjelo enfriar.
- No sumerja nunca el aparato en agua ni lo ponga debajo de agua corriente.
- **Para limpiar el exterior del aparato**, utilice una esponja húmeda y séquelo cuidadosamente.
- **Para limpiar las placas**, use una esponja húmeda con un producto para la vajilla.

Aclárelas y séquelas cuidadosamente.

- Si quedan restos de pasta cocida en las placas, aconsejamos usar aceite vegetal para ablandarlos y esperar 5 minutos antes de retirarlos.
- **No use nunca estropajos ni polvos abrasivos.**

**Cómo guardar el aparato:** Cierre el aparato con el pestillo y guárdelo en posición vertical para ahorrar espacio.



## ¿QUÉ HACER SI EL APARATO NO FUNCIONA?

- Compruebe que esté bien enchufado.

**¿El aparato sigue sin funcionar?** Diríjase a centro de servicio técnico autorizado Krups (encontrará la lista en el folleto de servicio técnico).

## KRUPS GARANTÍA DEL FABRICANTE



: [www.krups.com](http://www.krups.com)

**Comprometidos fuertemente con el medio ambiente, la mayoría de los productos Krups son reparables durante y posteriormente al periodo de garantía, Antes de regresar cualquier producto al sitio de venta, por favor llame directamente a servicios al consumidor de Krups, para conocer las opciones de reparación, al número indicado abajo. Apreciamos su ayuda para preservar el medio ambiente!**

### **Garantía**

Krups garantiza este producto por 2 años contra cualquier defecto de fabricación tanto en materiales como en mano de obra, a partir de la fecha de compra.

La garantía del fabricante Krups, es un beneficio extra que no afecta los derechos legales del consumidor

La garantía Krups cubrirá todos los gastos relacionados con la reparación de los productos defectuosos hasta que cumplan con sus especificaciones originales, mediante la reparación o reemplazo de cualquier pieza defectuosa y la mano de obra necesaria para ello. A criterio de Krups, en lugar de la reparación, podría hacer cambio de producto. Incluyendo los gastos de transportación en México razonablemente erogados para el cumplimiento de esta garantía, exclusivamente para aquellos sitios donde no se cuente con un centro de servicio autorizado.

La única obligación de Krups y su exclusiva determinación bajo esta garantía se limita a la reparación o reemplazo del producto.

### **Condiciones y exclusiones**

La garantía Krups, aplica solamente en Estados Unidos de Norteamérica, Canadá y México, y será válida solamente con la presentación del comprobante de compra. El producto puede ser llevado directamente a un centro de servicio autorizado, o debidamente empacado y devuelto, mediante servicio de mensajería autorizada (o servicio de paquetería equivalente), al centro de servicio autorizado de Krups. Detalles y dirección completa de los centros de servicio autorizados de cada país, se encuentran listados en la dirección electrónica de Krups

([www.krups.com](http://www.krups.com)) o bien llamando al número telefónico de cada país indicado abajo, para solicitar la dirección correspondiente.

Krups no está obligado a reparar o reemplazar ningún producto el cual no sea acompañado de su comprobante de compra.

Esta garantía no cubre ningún daño que pudiera ocurrir como resultado de mal uso, negligencia, o no haber seguido las instrucciones de uso establecidas por Krups, uso de corriente o voltaje diferente al indicado en el producto, o una modificación o reparación no autorizada del mismo. Tampoco cubre el desgaste o deterioro normal del producto, ni el reemplazo de componentes consumibles, ni lo siguiente:

- uso de tipo incorrecto de agua
- sarro (la eliminación de sarro (residuos calcáreos) deberá ser llevada a cabo de acuerdo a las instrucciones de uso)
- ingreso de agua, polvo o insectos al interior del producto
- daños mecánicos, sobrecargas
- uso comercial o profesional
- daños en componentes de vidrio o cerámicos en el producto

FECHA DE COMPRA :

Esta garantía no aplica a ningún producto si ha sido intervenido, o presenta daños derivados de uso o cuidado incorrecto, mal empacado por el propietario o mal manejo por parte del servicio de paquetería.

La garantía Krups, aplica solo a los productos comprados en Estados Unidos de Norteamérica, Canadá y México, cuando un producto es comprado en un país y usado en otro diferente:

- a) La duración de la garantía Krups es la correspondiente al país donde se utilice el producto, aún cuando la duración de la garantía donde haya sido comprado el producto dentro de los países listados, sea diferente.
- b) La garantía Krups no aplica en caso de no conformidad del producto comprado con los estándares locales, tales como voltaje, frecuencia, contactos eléctricos, u otras especificaciones técnicas.
- c) El proceso de reparación de un producto comprado fuera del país de uso, puede necesitar de un tiempo mayor si el producto no es vendido localmente
- d) En caso de que el producto no sea reparable en el nuevo país, la

garantía Krups se limita al reemplazo por un producto similar, o un producto alternativo de costo similar, dentro de lo posible.

### Derechos establecidos por la ley al Consumidor

Esta garantía Krups, no afecta los derechos establecidos por la ley que el consumidor pudiera tener o aquellos derechos que no pueden ser excluidos o limitados, tampoco los derechos contra el distribuidor al que el consumidor le haya comprado el producto. Esta garantía proporciona al consumidor derechos legales específicos, y el consumidor podrá tener también otros derechos legales los cuales varían de Estado a Estado o de País a País o de Provincia a Provincia. El consumidor podrá hacer valer esos derechos a su discreción.

### Información adicional

Accesorios, consumibles y piezas reemplazables pueden ser compradas si localmente se encuentran disponibles, como se describe en el sitio de internet de Krups.

<b>U.S.A.</b>	GROUPE SEB USA 2121 Eden Road Millville, NJ 08332	<b>CANADA</b>	GROUPE SEB CANADA 345 Passmore Avenue Toronto, ON M1V 3N8	<b>MEXICO</b>	Groupe SEB MEXICO S.A. de C.V. Goldsmith 38 Desp. 401 Col. Polanco Delegacion Miguel Hidalgo 11 560 Mexico D.F. MEXICO
	800-526-5377		1-800-418-3325		01800 1128325



: [www.krups.com](http://www.krups.com)

FECHA DE COMPRA:

<b>U.S.A.</b>	GROUPE SEB USA 2121 Eden Road Millville, NJ 08332	<b>CANADA</b>	GROUPE SEB CANADA 345 Passmore Avenue Toronto, ON M1V 3N8	<b>MEXICO</b>	Groupe SEB MEXICO S.A. de C.V. Goldsmith 38 Desp. 401 Col. Polanco Delegacion Miguel Hidalgo 11 560 Mexico D.F. MEXICO
	800-526-5377		1-800-418-3325		01800 1128325





[www.krups.com](http://www.krups.com)

EN . . . . . p. 2 - 13

FR . . . . . p. 14 - 25

ES . . . . . p. 26 - 37

Ref. NC00119156

Réalisation : Espace Graphique