

Installation Instructions for

BROADWAY COLLECTION of Medicine Cabinets

Dear Customer:

We appreciate your purchase of our Bath Cabinet, and would like to provide you with the following helpful hints.

- For protection in shipping, the **glass shelves & shelf pins** for your cabinet have been neatly placed inside the cabinet body. Please look carefully and remove before installation.
- It is important to make sure the cabinet body is level and plumb upon installation. Use a leveling instrument to ensure accuracy, or the door may not close and/or secure itself properly.
- If you wish to reverse the hinge side and have it hinged on the other side, just flip the cabinet over 180°.
- If for any reason the door is not closing properly or is not aligning properly. The Euro Hinges are adjustable with a phillip screwdriver.
- When **recessing** the cabinet, use the two pre-drilled holes on each side of the cabinet interior (top and bottom). Screws are **not** supplied, as we do not know the type of material you are going into (i.e., wood studs, metal studs). Make sure the cabinet is level and plumb before securing into framing studs.
- When **surface mounting** - **See separate "optional" surface mounting instructions** with your optional surface mount kit #MSK.
- When cleaning your new cabinet, we recommend a mild cleanser, applied first to a rag or paper towel. Do not spray directly on to the mirror or frame.

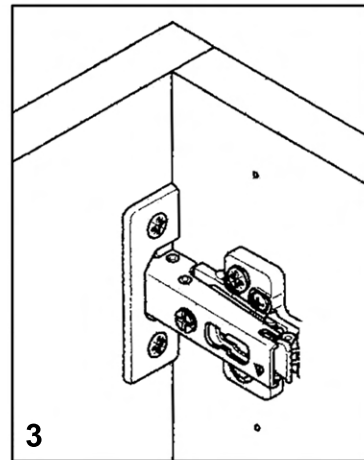
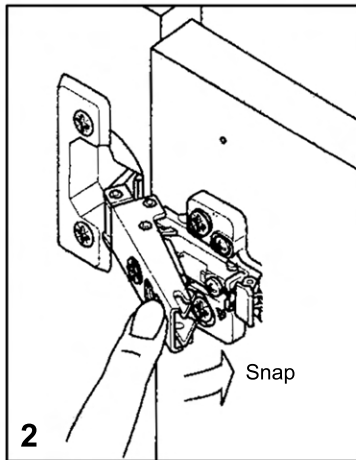
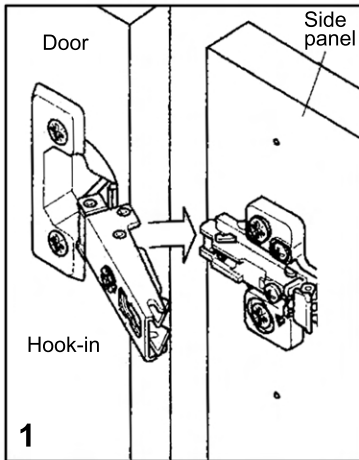
We are confident your cabinet will reflect the quality and prestige you wish to convey in your home or business environment.

Thank you for purchasing our products.

BROADWAY CABINETS Concealed Hinges

Instructions for 6-way adjustable hinges

How to
install or
remove
doors



How to
adjust
hinges

