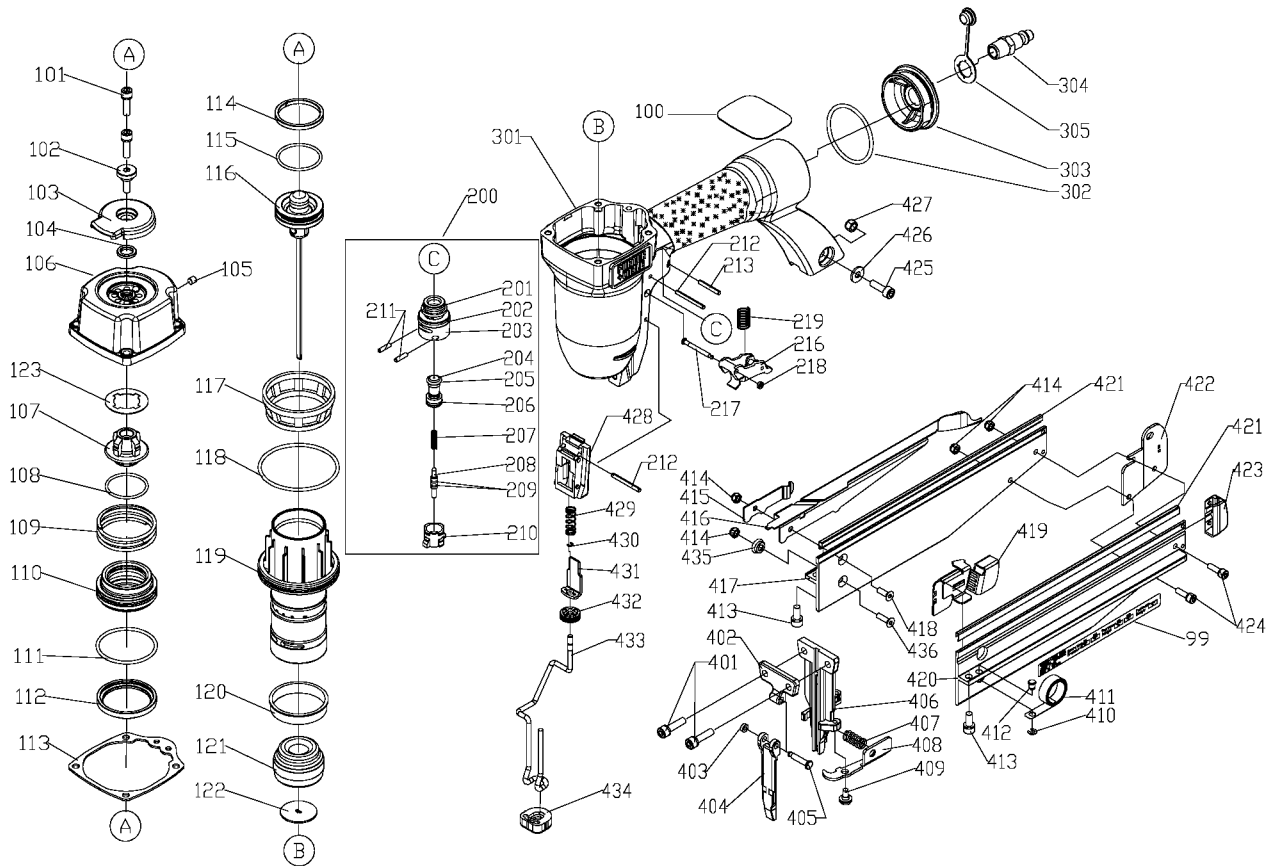


PORTER-CABLE FINISH NAILER

WARNING: Repairs should only be attempted by trained repairmen. Contact the nearest Porter-Cable Service Center or other competent repair center

FN250B



Parts List for FN250B Type 1

Item Number	Part Number	Description	Qty Required
99	904677	INFORMATION LABEL	1
100	904673	WARNING LABEL	1
101	894752	BOLT	10
102	904681	BOLT (M5 X 0.8-10)	10
103	904682	EXHAUST DEFLECTOR	1
104	904683	RUBBER PAD	1
105	883912	SET SCREW	10
106	904728	SS/A-CYLINDER CAP	1
107	904685	PISTON STOP	1
108	904686	O-RING (29.5 X 2 (S3	1
109	A00661	SPRING	1
110	904688	PISTON-HEAD VALVE	1
111	883837	O-RING	1
112	904689	SEAL-HEAD VALVE	1
113	904690	GASKET	1
114	904691	PISTON RING	1
115	904692	O-RING (31 X 2 (2031	1
116	904950	DRIVER MAINT KIT	1
117	886118	CYLINDER PRESS RING	1
118	904694	O-RING (58 X 2.5)	1
119	904695	CYLINDER	1
120	886119	CHECK SEAL	1
121	904696	BUMPER	1
122	904697	WASHER-DRIVER DISK	1
123	904698	WASHER-BEARING	1
200	A08368	SS/A TRIGGER VALVE K	1
201	897340	O-RING	1

COPYRIGHT© 2005. All Rights Reserved.

Parts list, pricing, and availability subject to change. Please visit www.dewaltservicenet.com for current parts information.

Parts List for FN250B Type 1

Item Number	Part Number	Description	Qty Required
202	897341	O-RING	1
203	897342	CAP	1
204	883937	TRIGGER VALVE	1
205	883936	O-RING	1
206	883938	O-RING	1
207	883939	PLUNGER SPRING	1
208	897346	PLUNGER	1
209	883848	O-RING	1
210	897347	VALVE	1
211	897374	PIN (3X12)	1
212	897349	PIN-SPRING	1
213	884404	ROLLED PIN	1
217	897351	PIN	1
218	890725	URETHANE RETAINER	1
219	904701	SPRING-RESTRICTIVE T	1
301	904703	SS/A-HOUSING W/ LABE	1
302	886099	O-RING	1
303	886124	END CAP	1
304	883859	MALE QUICK COUPLER	1
305	884443	PROTECTIVE COVER	1
401	894745	BOLT	10
402	904704	DRIVER GUIDE COVER B	1
403	897359	RETAINING RING	1
404	904705	DRIVER GUIDE COVER A	1
405	904706	PIN	1
406	904707	DRIVER GUIDE	1
407	894778	SPRING	1

COPYRIGHT© 2005. All Rights Reserved.

Parts list, pricing, and availability subject to change. Please visit www.dewaltservicenet.com for current parts information.

Parts List for FN250B Type 1

Item Number	Part Number	Description	Qty Required
408	904708	LATCH	1
409	904709	BOLT-M4X0.7-08 (3M23	1
410	886069	E-RING	1
411	904710	SPRING	1
412	886543	SPRING FASTNER	1
413	904711	BOLT ASSY (M5-08X12+	1
414	883882	LOCK NUT	10
415	904712	SPRING	1
416	904713	MAGAZINE COVER	1
417	904714	MAGAZINE B	1
418	886261	BOLT	10
419	904715	PUSHER	1
420	904953	MAGAZINE A	1
421	904717	CHANNEL-NAIL GUIDE	1
422	904718	BRACKET-MAGAZINE	1
423	904719	COVER-MAGAZINE	1
424	904720	BOLT ASSY-M4X14	1
425	883955	BOLT	10
426	883971	WASHER-FLAT	1
427	883970	NUT-LOCK	1
428	904721	SAFETY GUIDE	1
429	887969	SAFETY SPRING	1
430	886218	RING	1
431	904723	SAFETY	1
432	894775	THUMB WHEEL	1
433	911772	SAFETY A	1
434	904725	CUSHION-NOSE	1

COPYRIGHT© 2005. All Rights Reserved.

Parts list, pricing, and availability subject to change. Please visit www.dewaltservicenet.com for current parts information.

Parts List for FN250B Type 1

Item Number	Part Number	Description	Qty Required
435	904726	SEAT-BOLT	1
436	904727	BOLT	10
800	884293	AIR TOOL OIL (18CC)	1
856	904949	OVERHAUL KIT	1
856	884297	HEX WRENCH (3MM)	1
856	884298	HEX WRENCH (4MM)	1
856	891903	HEX WRENCH 2.5MM	1
856	893579	SAFETY GLASSES	1
861	903901	SS/A-CARRYING CASE	1

COPYRIGHT© 2005. All Rights Reserved.

Parts list, pricing, and availability subject to change. Please visit www.dewaltservicenet.com for current parts information.